

## Specification sheet LX 885

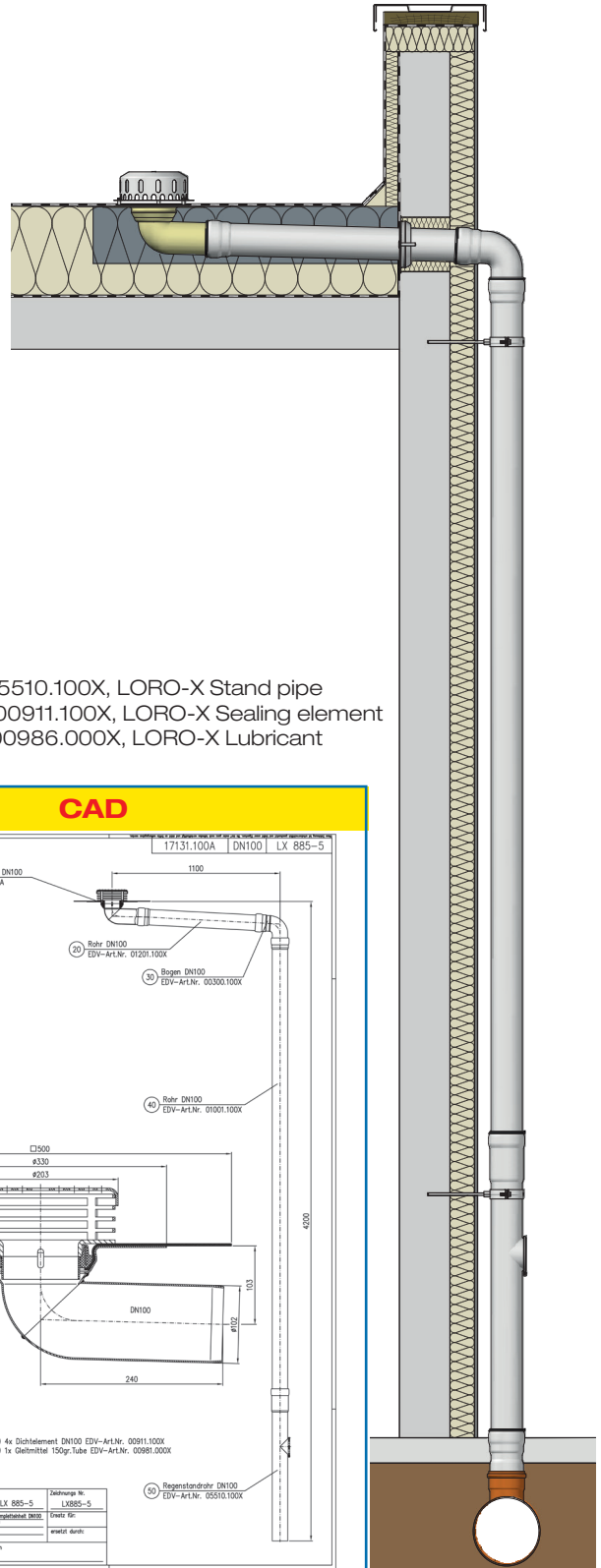
### Roof drainage systems made of aluminium, Series O

Main drainage

Gravity flow

Silent Power

<b>Discharge rate:</b>	<b>4,6 l/sec</b>
<b>Water height:</b>	<b>35 mm</b>
<b>Roof penetration:</b>	<b>-</b>
<b>Diameter:</b>	<b>DN 100</b>
<b>LX-Number:</b>	<b>LX 885</b>
<b>Weir height:</b>	<b>0 mm</b>
<b>Drain:</b>	<b>ventilated</b>
<b>Downpipe:</b>	<b>not ventilated</b>
<b>Downpipe height:</b>	<b>4,2 m</b>
<b>Drainage:</b>	<b>in sewer</b>



#### LX 885 Piece list

1 x Art.-No. choose drain on page two!

1 x Art.-Nr. 01201.100X, LORO-X Pipe with one socket

1 x Art.-Nr. 00300.100X, LORO-X Bend

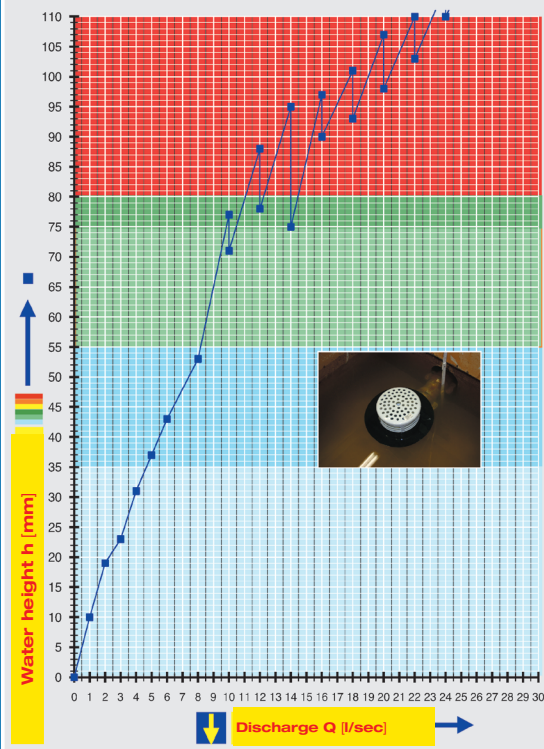
1 x Art.-Nr. 01001.100X, LORO-X Pipe with one socket

1 x Art.-Nr. 05510.100X, LORO-X Stand pipe

4 x Art.-Nr. 00911.100X, LORO-X Sealing element

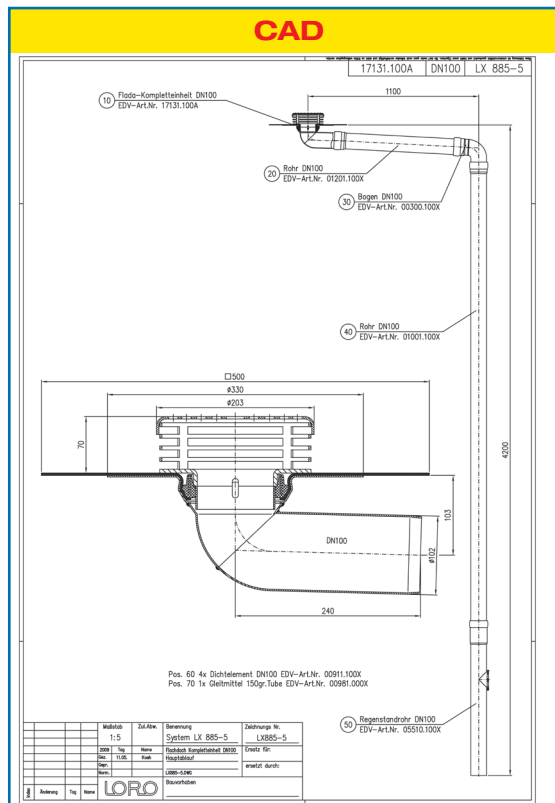
1 x Art.-Nr. 00986.000X, LORO-X Lubricant

#### hQ - Head Discharge curve



Systempower

#### CAD



Systemshape

Water height	mm	5	10	15	20	25	30	35	40	45	50	55	60	65	70	75
Discharge	l/sec		1,0	1,6	2,3	3,2	3,9	4,6	5,4	6,4	7,4	8,1	8,6	9	9,4	9,9
								<b>Silent Power</b>								

Choose drain for piece list on page one!

DN 100

without thermal insulation

**LX885-5X**

Drain Art.-No. 17131.100A

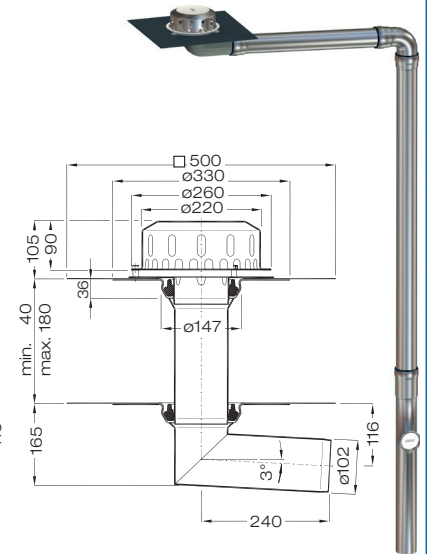
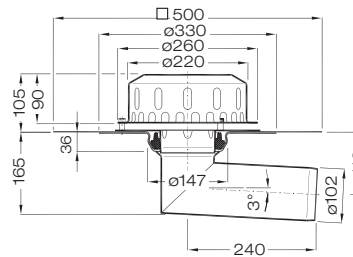
Series O  
**one-piece  
connection sleeve**



**LX885-6X**

Drain Art.-No. 17132.100A

Series O  
**two-piece  
connection sleeve**



with thermal insulation

**LX885-7X**

Drain Art.-No. 17145.100A

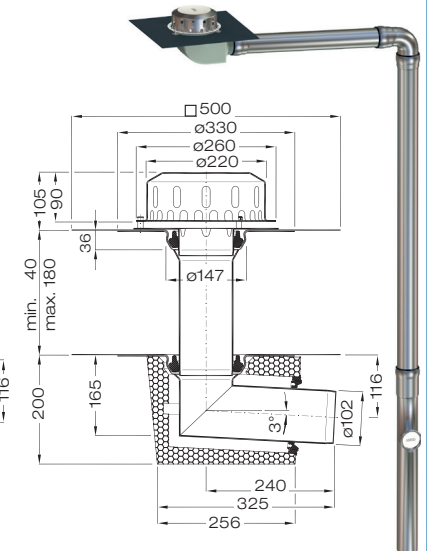
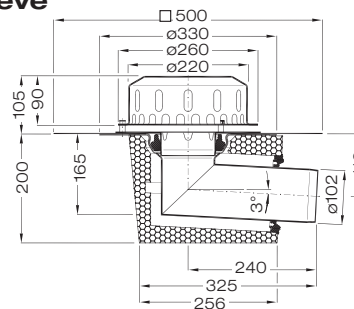
Series O  
**one-piece  
connection sleeve**



**LX885-8X**

Drain Art.-No. 17146.100A

Series O  
**two-piece  
connection sleeve**



with thermal insulation and heating

**LX885-9X**

Drain Art.-No. 17147.100A

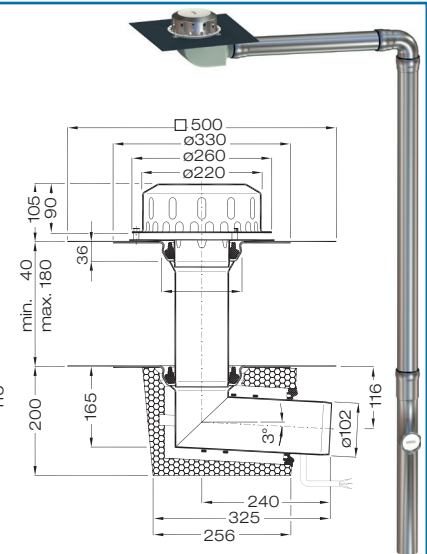
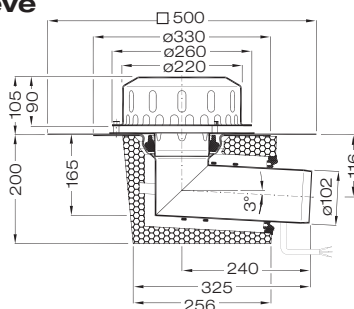
Series O  
**one-piece  
connection sleeve**



**LX885-10X**

Drain Art.-No. 17148.100A

Series O  
**two-piece  
connection sleeve**



**Heat tracing:** Lorowerk recommends to check all drains and pipes with regard to their frost-sensibility. Where necessary, these parts should be upgraded with heat tracing.